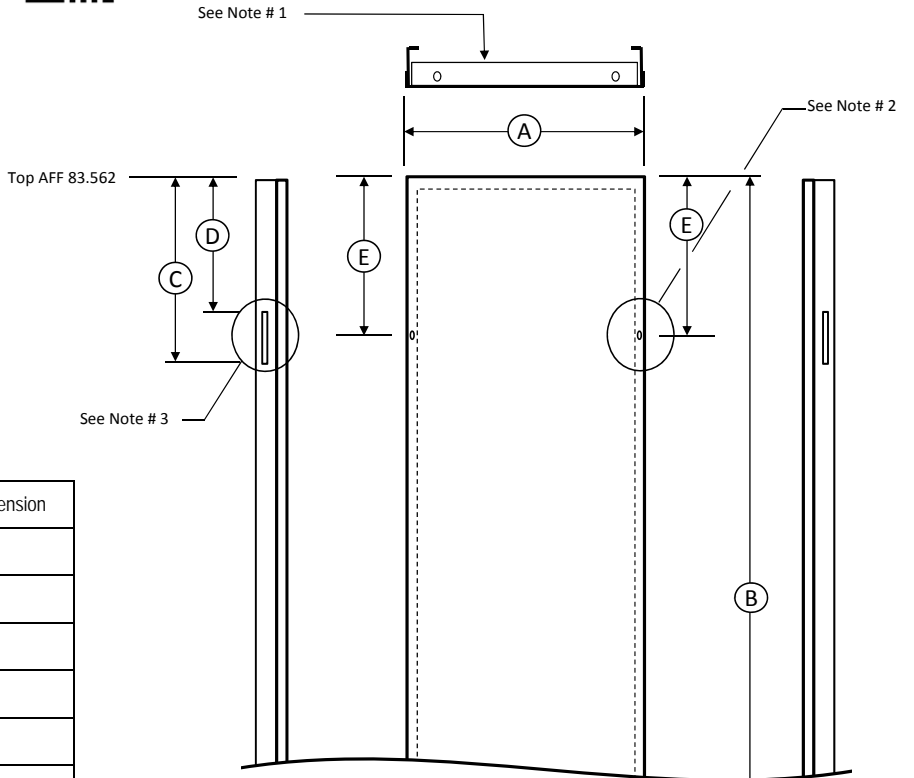


Dover Mini Swing



| Typical Mini Swing Dimension | Dimension | Your Mini Swing Dimension |
|------------------------------|-----------|---------------------------|
| 12.000 | A | |
| 83.437 | B | |
| 13.687 | C | |
| 10.687 | D | |
| 12.125 | E | |
| 1.500 | F | |
| 0.500 | G | |
| 0.750 | H | |
| 11.250 | I | |
| 1.438 | J | |
| 0.375 | K | |

Notes:

- 1) Hinge mounting bracket to be welded 0.375" from top and bottom of panel.
- 2) These are access holes for a latching system that your mini swing may or may not include. If required, please indicate on which side of panel the holes are located.
- 3) 3.000" X 0.250" mounting slot (4 places)

